

LightSweep™

Modular Lighting Control Panel
Catalog Number
CLCPNL06*



BEFORE YOU BEGIN

Read these instructions completely and carefully.

WARNING

RISK OF ELECTRIC SHOCK

TURN OFF POWER BEFORE SERVICING
INSTALL IN ACCORDANCE WITH NATIONAL
ELECTRIC CODE

CAUTION: Make sure all power is off before wiring.
Do not energize wiring until the unit is fully
assembled. Conform to all applicable codes.

DESCRIPTION

The Modular Lighting Control System is a small network of relay panels and occupant control switches linked by a dataline. Together, these devices form a reconfigurable switching platform — one that uses “softwiring” instead of hardwiring to link occupant switches to relays. Scheduling capability can be readily added by simply adding a CLCDLS scheduler to the network.

The CLCPNL06* is the complete relay panel for the Modular Lighting Control System.

This panel assembly can be configured as shown in Table-1.

Part number	Description	Relay Count
CLCP06-S03-G000	INT_06_RELAY_CABINET	3
CLCP06-S04-G000	INT_06_RELAY_CABINET	4
CLCP06-S05-G000	INT_06_RELAY_CABINET	5
CLCP06-S06-G000	INT_06_RELAY_CABINET	6
CLCP06-N03-G000	INT_06_RELAY_CABINET	3
CLCP06-N04-G000	INT_06_RELAY_CABINET	4
CLCP06-N05-G000	INT_06_RELAY_CABINET	5
CLCP06-N06-G000	INT_06_RELAY_CABINET	6
CLCP06-S03-0010	INT_06_RELAY_CABINET	3
CLCP06-S04-0010	INT_06_RELAY_CABINET	4
CLCP06-S05-0010	INT_06_RELAY_CABINET	5
CLCP06-S06-0010	INT_06_RELAY_CABINET	6
CLCP06-N03-0010	INT_06_RELAY_CABINET	3
CLCP06-N04-0010	INT_06_RELAY_CABINET	4
CLCP06-N05-0010	INT_06_RELAY_CABINET	5
CLCP06-N06-0010	INT_06_RELAY_CABINET	6
CLCP06-000-G010	INT_06_RELAY_CABINET	0
CLCP06-000-G00S	INT_06_RELAY_CABINET	0
CLCP06-000-001S	INT_06_RELAY_CABINET	0
CLCP06-000-GB00	INT_06_RELAY_CABINET	0
CLCP06-000-0B10	INT_06_RELAY_CABINET	0
CLCP06-000-PB00	INT_06_RELAY_CABINET	0

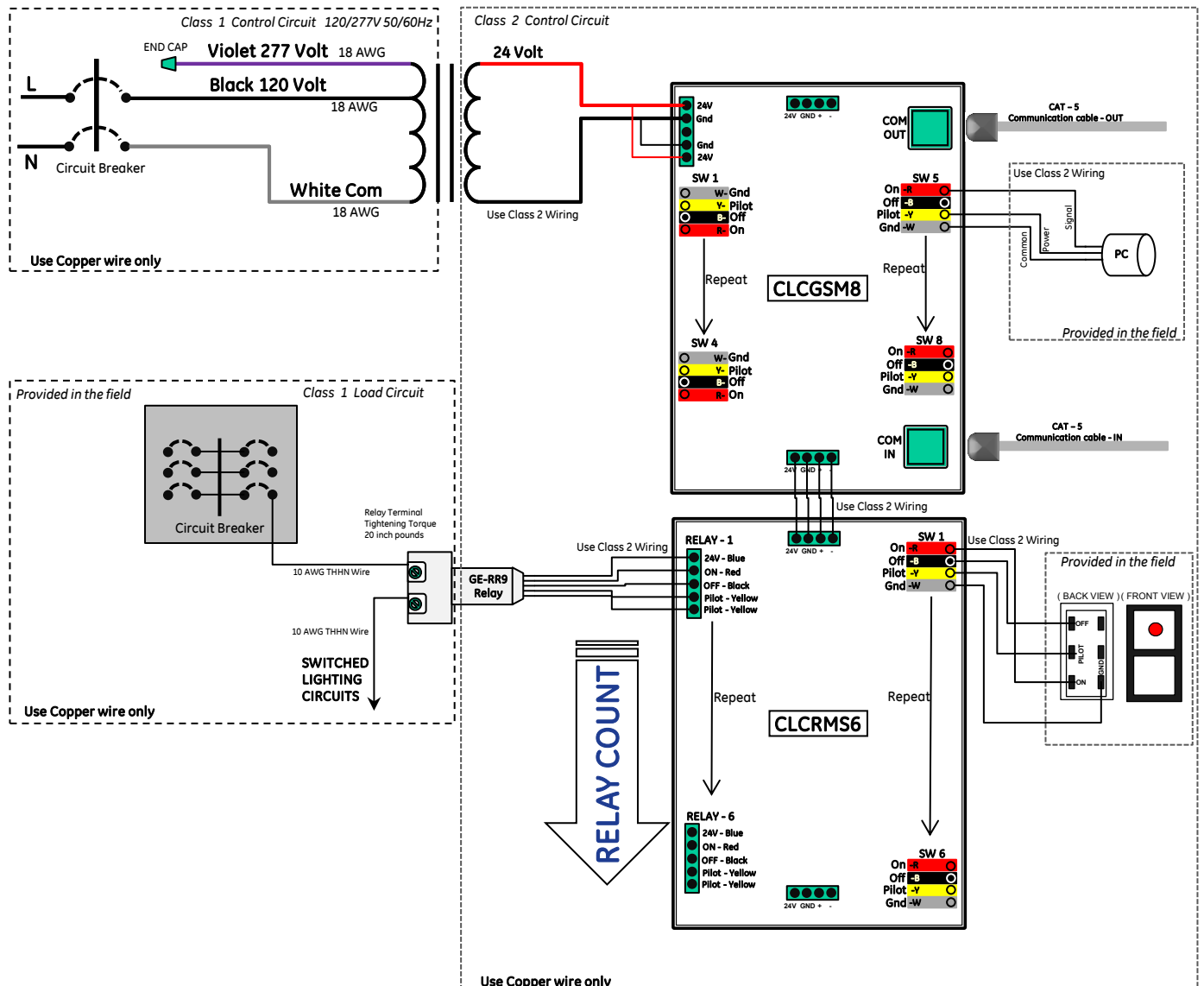
Table-1

If you have questions, call GE Lighting Control Service at: 1-877-584-2685 (LTG-CNTL) in the USA and Canada.



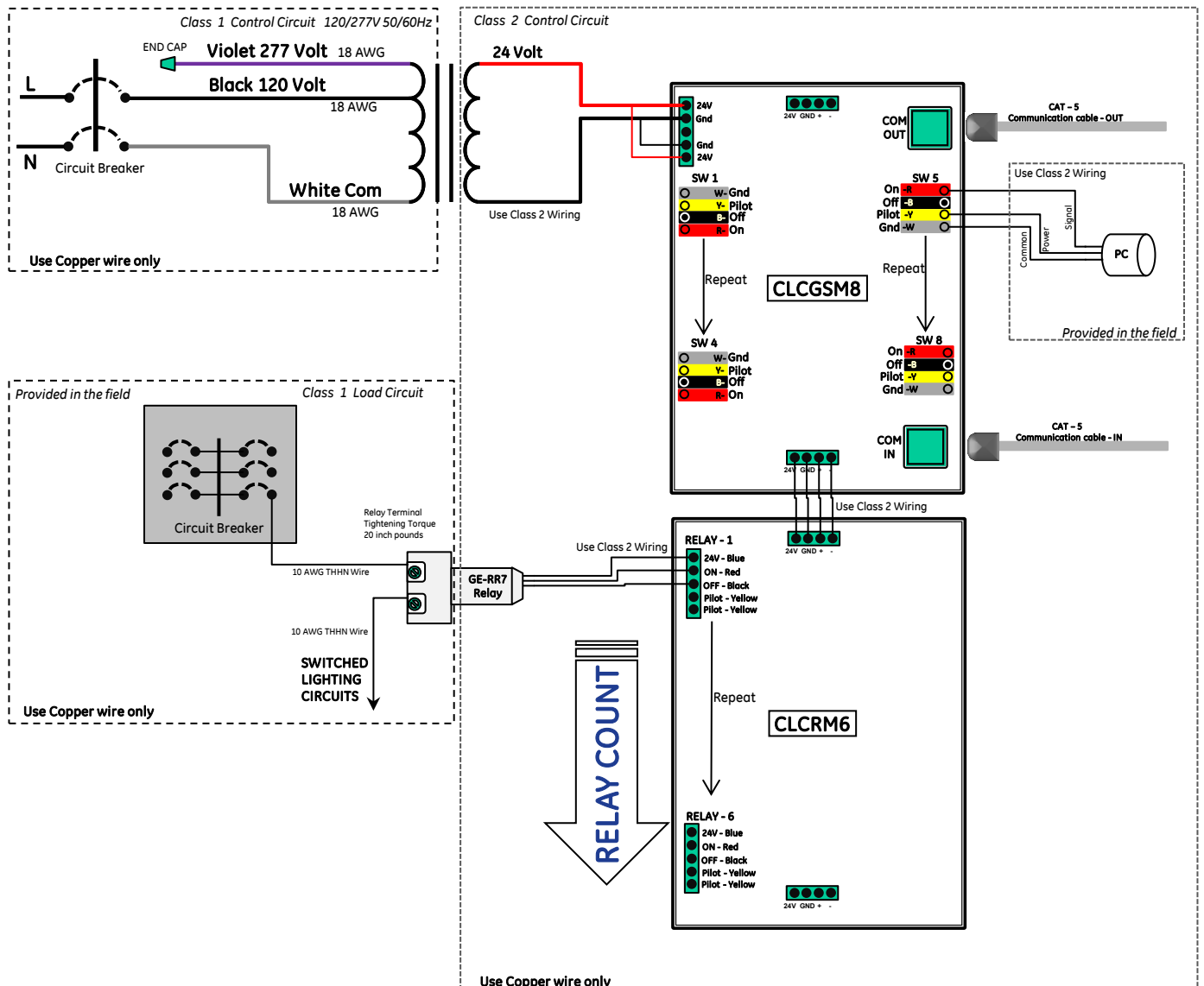
Wiring drawing for below list of Catalog Numbers.

Part number	Description	Relay Count
CLCP06-S03-G000	INT_06_RELAY_CABINET	03
CLCP06-S04-G000	INT_06_RELAY_CABINET	04
CLCP06-S05-G000	INT_06_RELAY_CABINET	05
CLCP06-S06-G000	INT_06_RELAY_CABINET	06



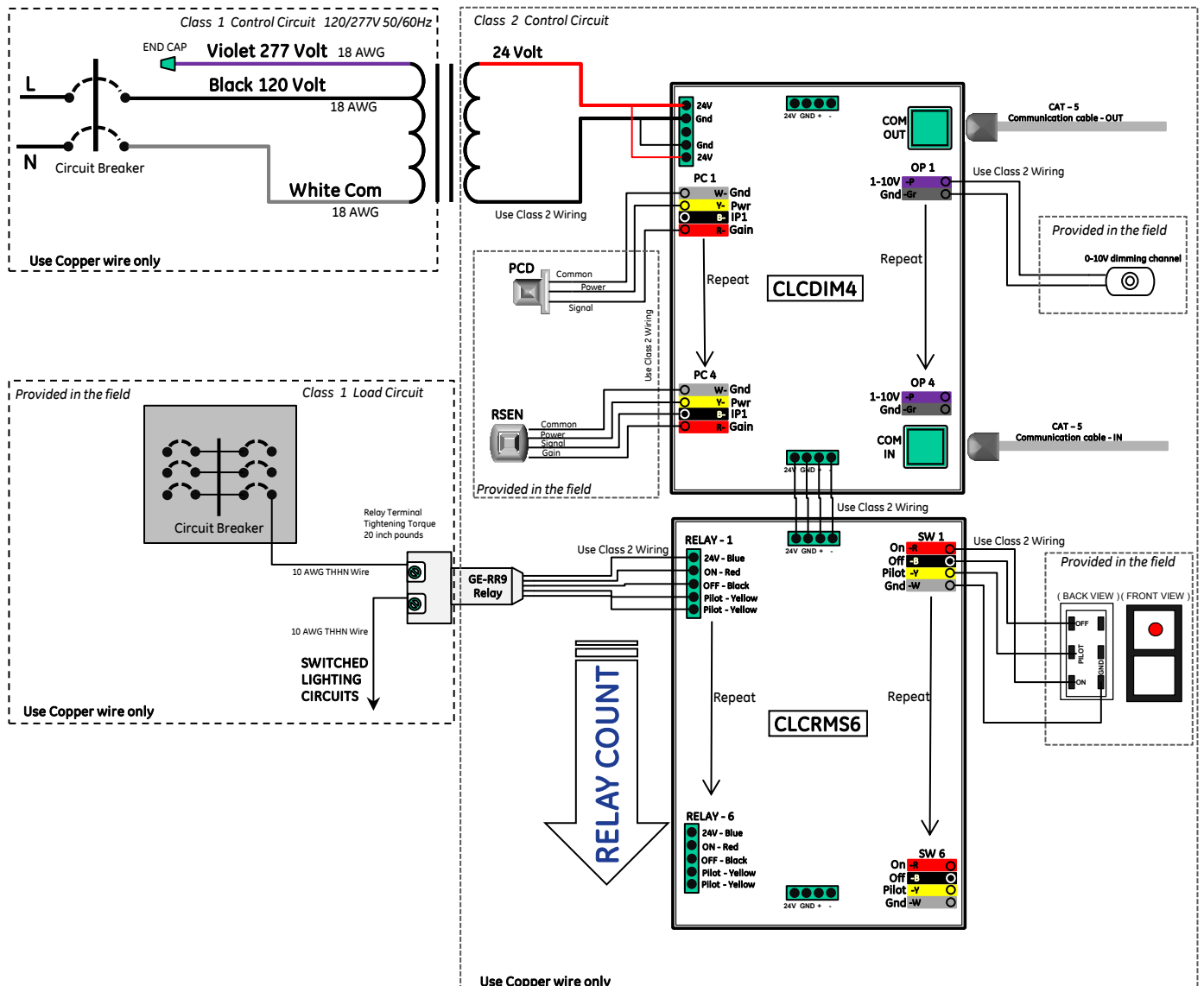
Wiring drawing for below list of Catalog Numbers.

Part number	Description	Relay Count
CLCP06-N03-G000	INT_06_RELAY_CABINET	03
CLCP06-N04-G000	INT_06_RELAY_CABINET	04
CLCP06-N05-G000	INT_06_RELAY_CABINET	05
CLCP06-N06-G000	INT_06_RELAY_CABINET	06



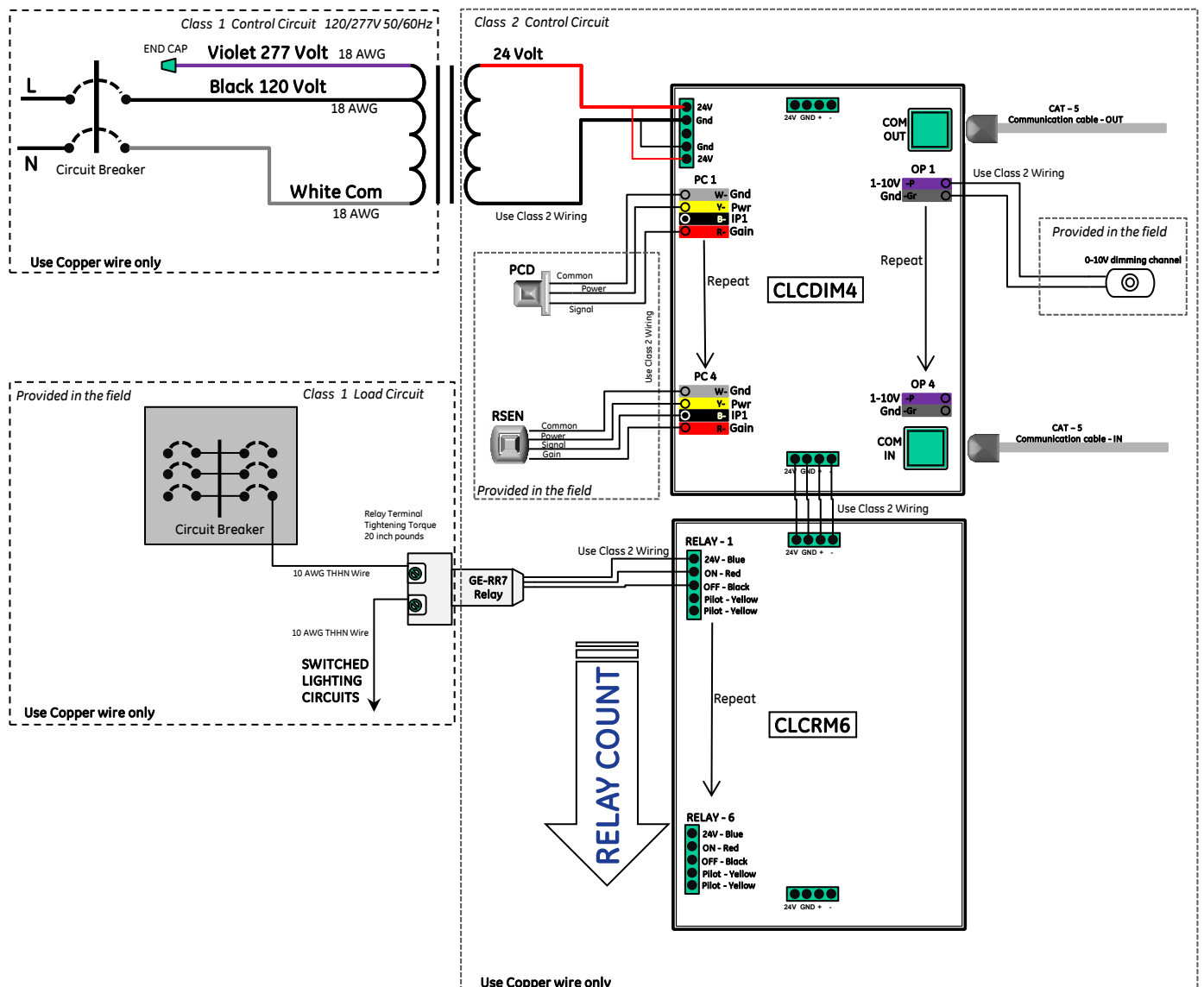
Wiring drawing for below list of Catalog Numbers.

Part number	Description	Relay Count
CLCP06-S03-0010	INT_06_RELAY_CABINET	03
CLCP06-S04-0010	INT_06_RELAY_CABINET	04
CLCP06-S05-0010	INT_06_RELAY_CABINET	05
CLCP06-S06-0010	INT_06_RELAY_CABINET	06



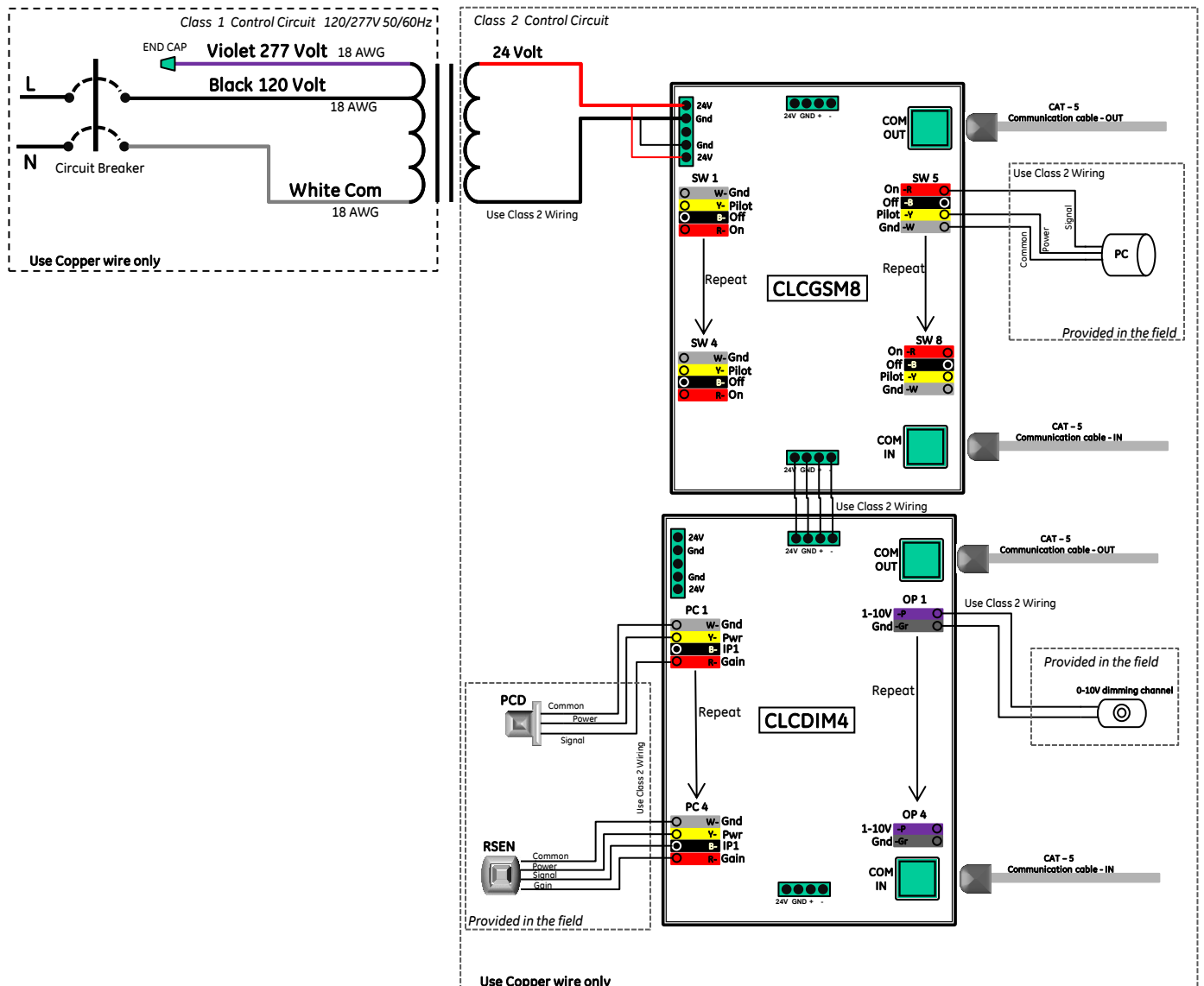
Wiring drawing for below list of Catalog Numbers.

Part number	Description	Relay Count
CLCP06-N03-0010	INT_06_RELAY_CABINET	03
CLCP06-N04-0010	INT_06_RELAY_CABINET	04
CLCP06-N05-0010	INT_06_RELAY_CABINET	05
CLCP06-N06-0010	INT_06_RELAY_CABINET	06



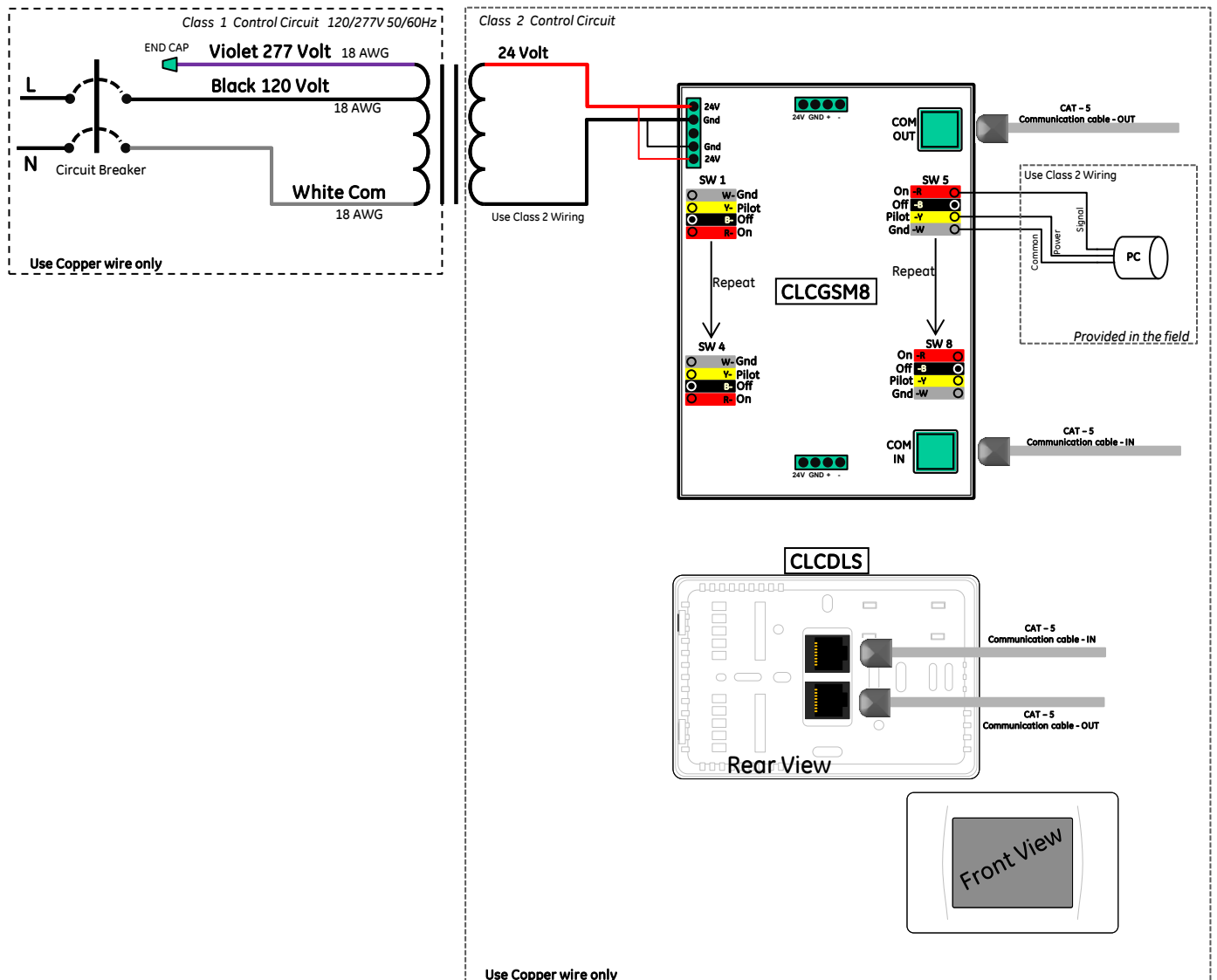
Wiring drawing for below list of Catalog Numbers.

Part number	Description	Relay Count
CLCP06-000-G010	INT_06_RELAY_CABINET	00



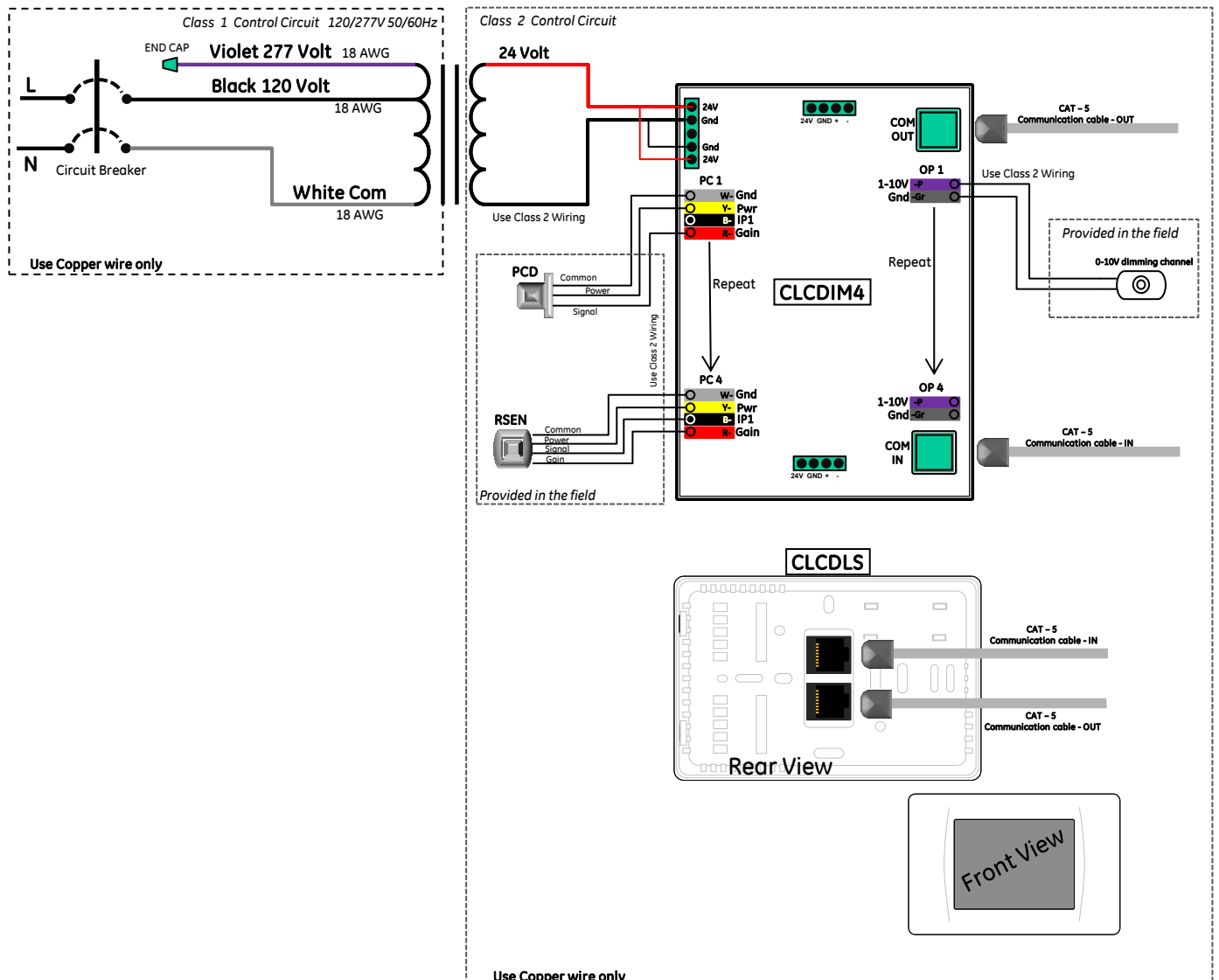
Wiring drawing for below list of Catalog Numbers.

Part number	Description	Relay Count
CLCP06-000-G00S	INT_06_RELAY_CABINET	00



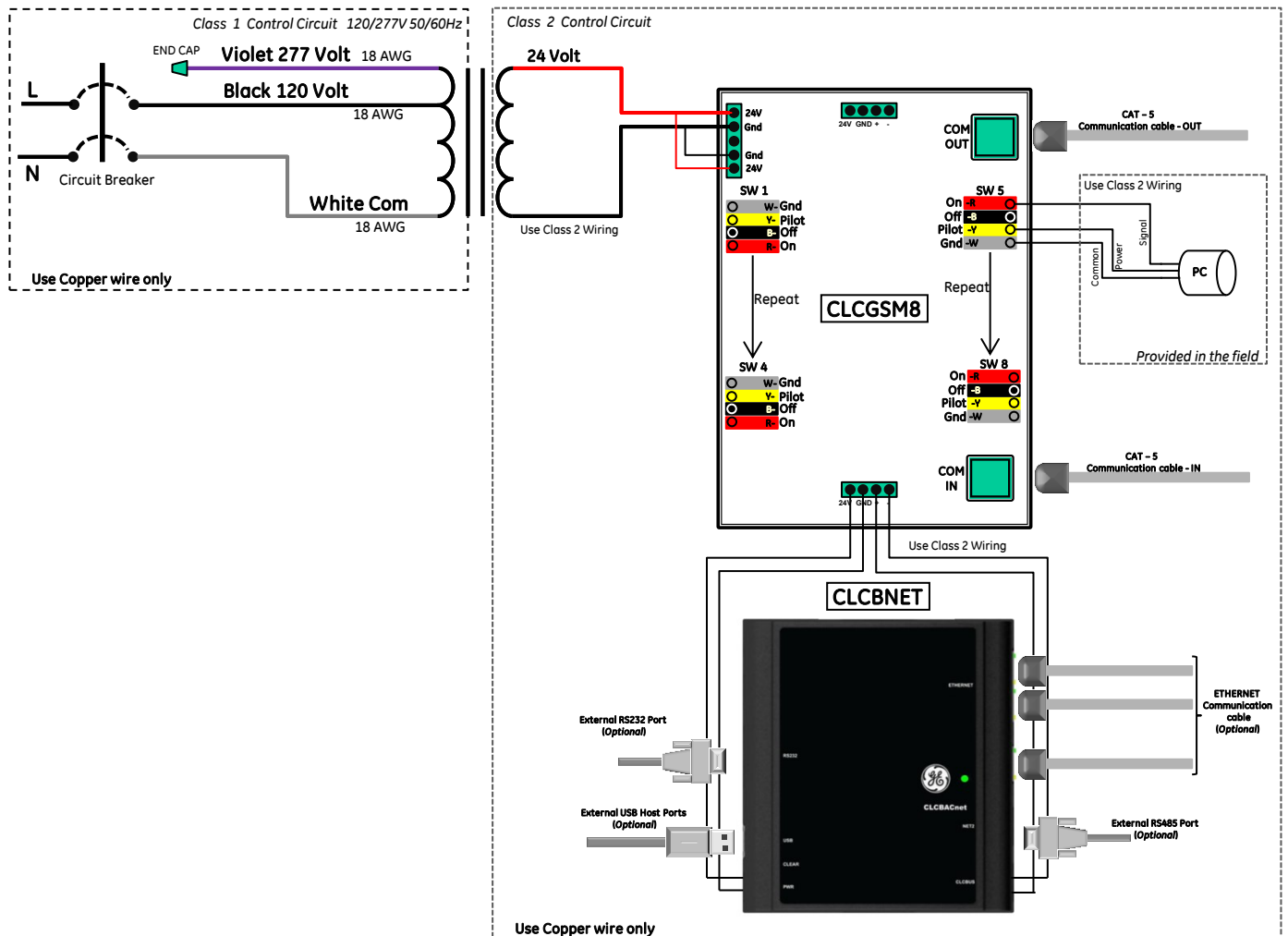
Wiring drawing for below list of Catalog Numbers.

Part number	Description	Relay Count
CLCP06-000-001S	INT_06_RELAY_CABINET	00



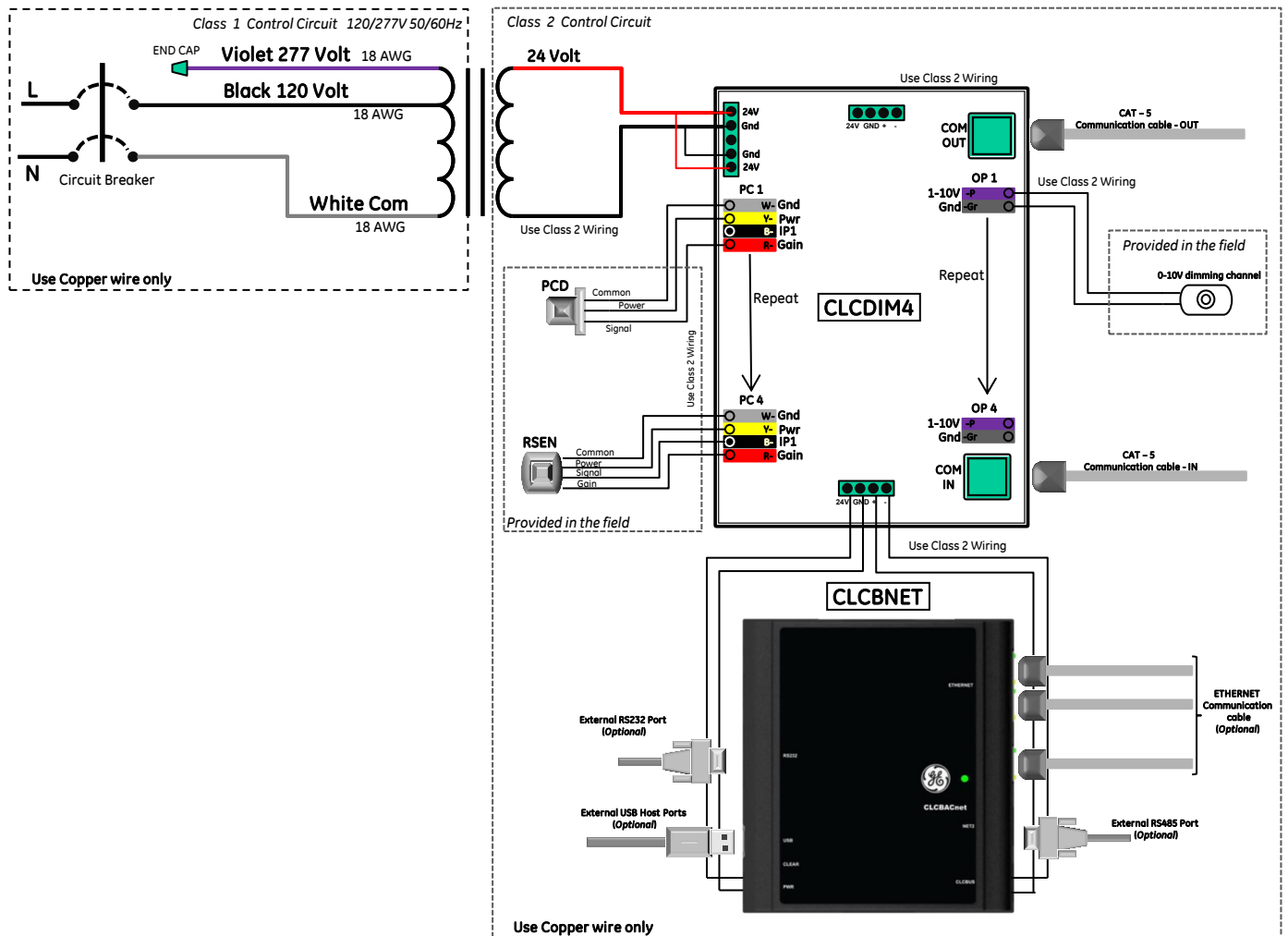
Wiring drawing for below list of Catalog Numbers.

Part number	Description	Relay Count
CLCP06-000-GB00	INT_06_RELAY_CABINET	00



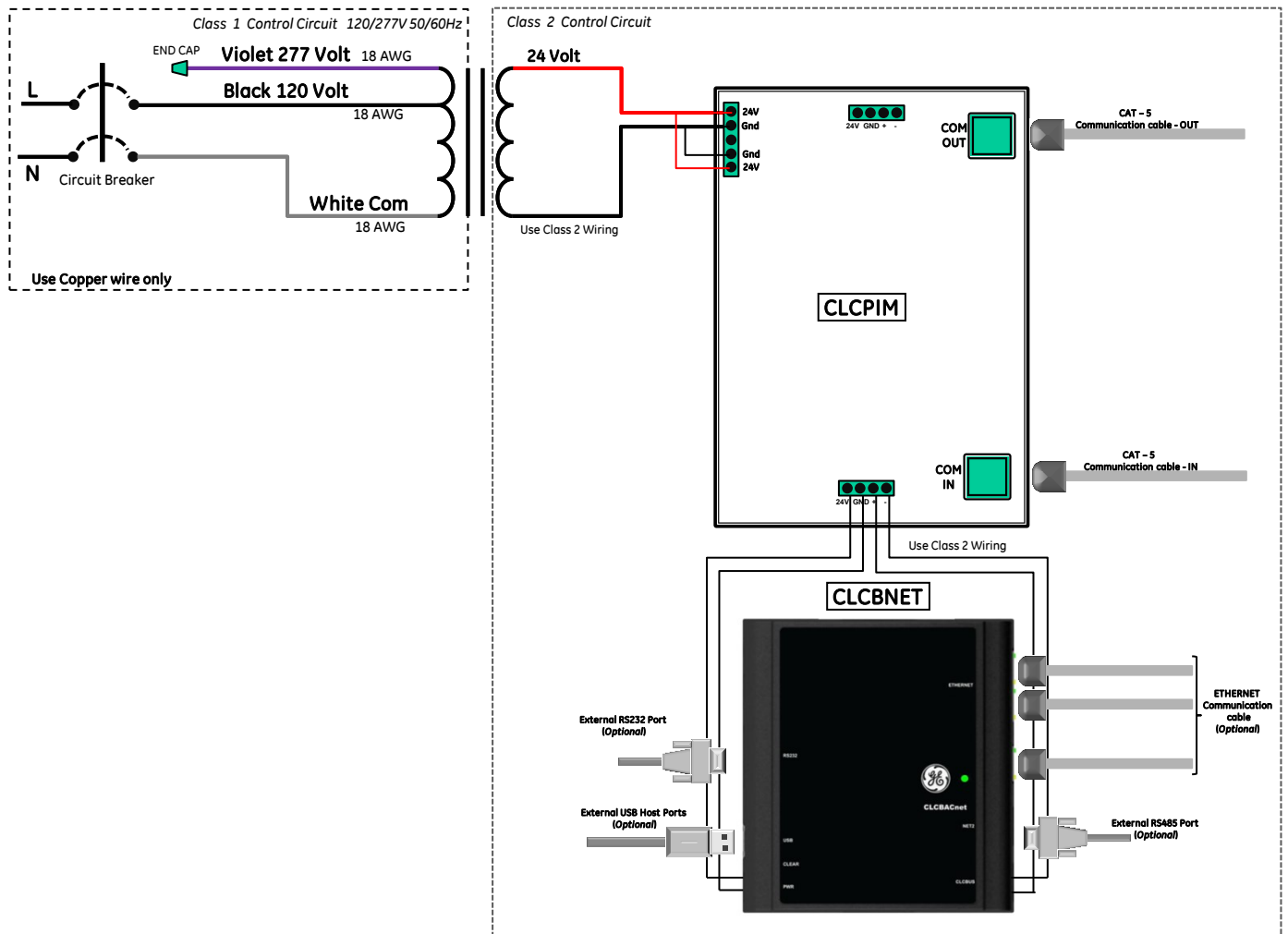
Wiring drawing for below list of Catalog Numbers.

Part number	Description	Relay Count
CLCP06-000-0B10	INT_06_RELAY_CABINET	00



Wiring drawing for below list of Catalog Numbers.

Part number	Description	Relay Count
CLCP06-000-PB00	INT_06_RELAY_CABINET	00



These instructions do not cover all details or variations in equipment nor do they provide for every possible contingency that may be met in connection with installation, operation or maintenance. Should further information be desired or should particular problems arise that are not covered for the purchaser's purposes, the matter should be referred to the GE Company. Information provided is subject to change without notice.

For additional product and application information, please consult GE's Website: www.gelighting.com